

# AL40/AL100

## LASER LEVEL / DISTANCE TRANSMITTER

- 40 & 100 metre range
- 4-20mA output
- 2x programmable relays
- Backlit LCD display
- Programmable via push buttons
- DIP switch for laser pointer
- Robust aluminium housing
- Optional dust tube, aiming kit & ATEX / IA



CE



**ALLPRONIX**®

# CONTINUOUS LASER LEVEL & DISTANCE TRANSMITTER

The AL40/100 is a non-contact level and distance measuring instrument, designed for granular materials and opaque liquids. The narrow beam characteristics of a laser allow direct aiming to a target surface, without interferences from structures or falling material.

The unit can measure from as little as a few centimeters in a confined space, to as much as 100 metres to the bottom of a silo. Along with the visible laser pointer, and easy setup via the membrane keypad and LCD display, the AL40/100 makes for a plug and play solution for most level and distance measurement applications.

## LASER FUNCTIONS

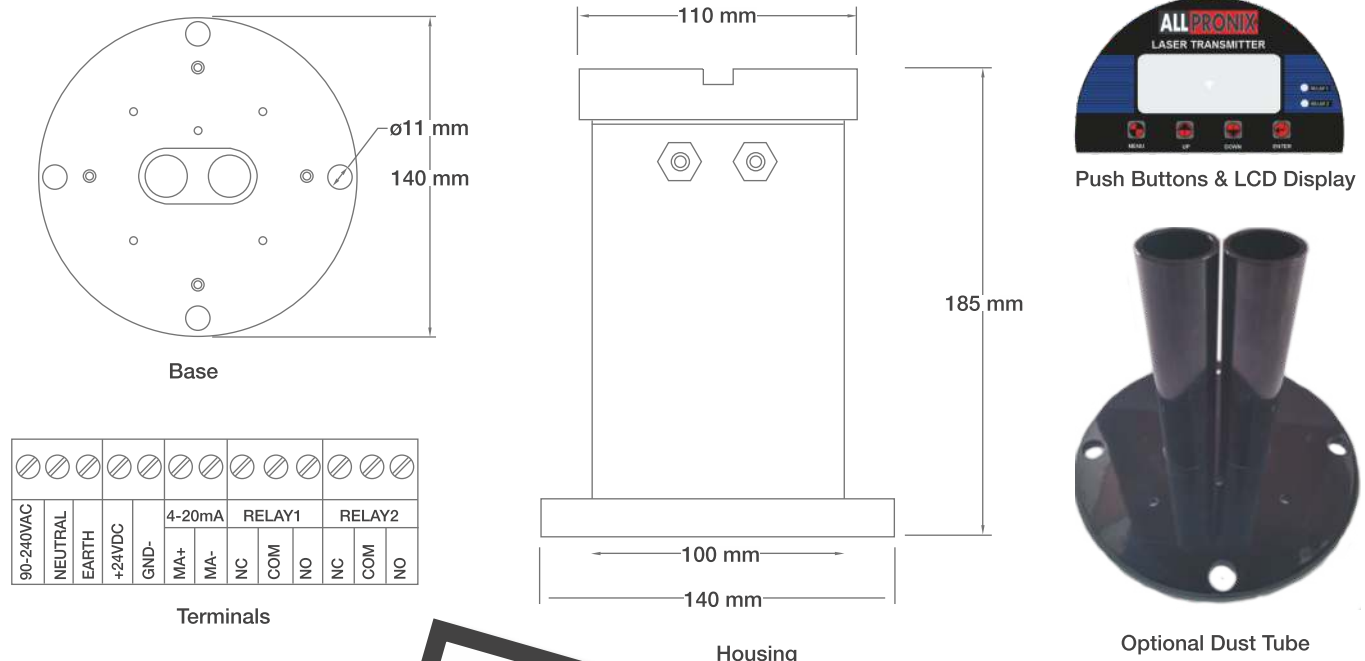
The AL40/100 uses a high speed laser pulse to measure distance. Laser light is emitted towards the surface, and the reflection is detected by a sensitive optical receiver. The time it takes for the light to travel to the surface and back, is directly proportional to the distance. The unique performance and characteristics of a laser allow it to be used for short and long range distances, in many applications. If you can see the target surface clearly, then the AL40/100 can measure the level. An optional dust tube is recommended for dusty applications, which helps in keeping the lens dust free for longer.

The AL40/100 is Proudly South African, and the first laser of its kind to have an on-board LCD display and programming keypad.

## SPECIFICATIONS

|               |   |
|---------------|---|
| Range         | : 0.1 to 40 metres (AL40)                   |
|               | : 0.1 to 100 metres (AL100)                 |
| Resolution    | : 0.01m                                     |
| Accuracy      | : 0.1% FS                                   |
| Update        | : 2-10 readings per second                  |
|               | Configurable                                |
| Display       | : 4 digit LCD 7 segment                     |
|               | : Remote optional                           |
| Configuration | : Via keypad and LCD                        |
| Supply        | : 90-240Vac & 18-26Vdc                      |
| Consumption   | : 200mA                                     |
| Output        | : NEMA compliant                            |
|               | 4-20mA 2x relays                            |
|               | 5A @ 250Vac                                 |
| Housing       | : Powder coated aluminium                   |
| Beam angle    | : Less than 1 degree                        |
| Laser Safety  | : Class 1M. Do not view into laser directly |
| Temperature   | : -20 to 80 Deg C                           |
| Pressure      | : Atmospheric                               |
| IP Rating     | : IP 65                                     |
| Weight        | : 2 Kg                                      |
| ATEX / IA     | : Optional                                  |
|               | (Ex tb 11C T85°C Db)                        |

## DRAWINGS & DIMENSIONS



PROUDLY SOUTH AFRICAN

[www.allpronix.com](http://www.allpronix.com)  
[sales@allpronix.com](mailto:sales@allpronix.com)  
 Phone +27 11 795 9500

AGENT DETAILS :-

### Pune Techtrol Pvt Ltd

S-18, MIDC, Bhosari, Pune - 411026. India

+91-20-66342900

ho@punetechtrol.com

www.punetechtrol.com