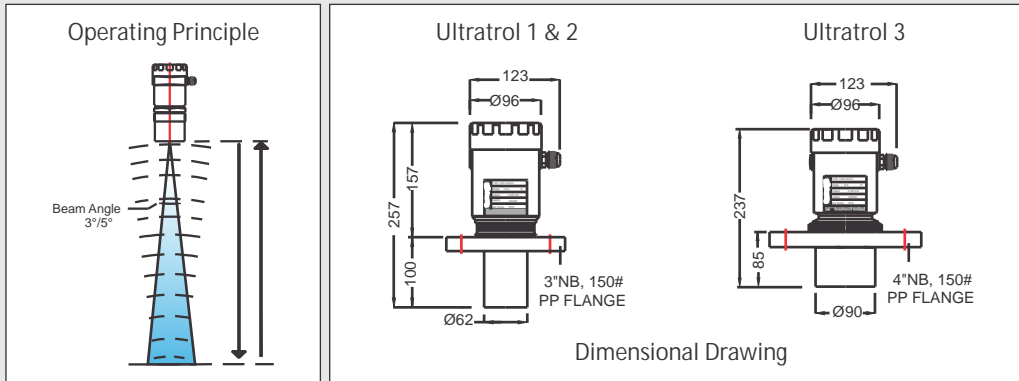


Techtrol Ultrasonic Level System for Liquid - TUS Ultratrol



Techtrol Ultrasonic Level System for Liquids is a non-contact system consisting of an Ultrasonic Transducer integral with Transreceiver. The principle of operation is often referred to as 'time of flight'. An ultrasonic pulse is emitted from transducer down towards the target and is reflected back from the surface. The time it takes to travel 'from and to' the transducer is directly proportional to distance travelled. The system consists of transmitter with 2 core screened signal cable plus indicator or controller along with protection canopy and mounting accessories.

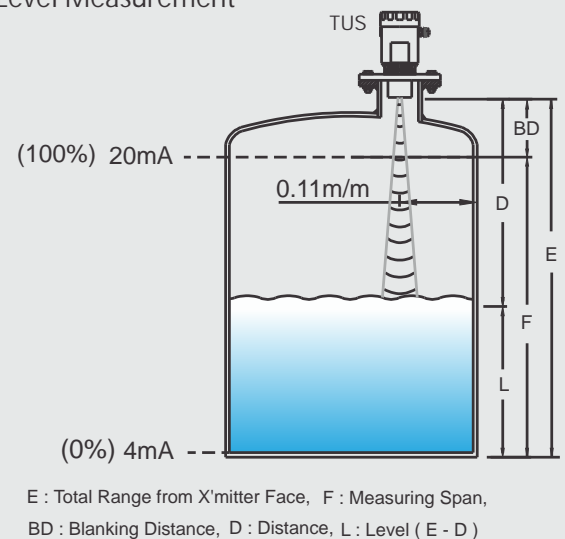


Specifications :

- Measuring Range : Ultratrol 1 - 0.4 to 5 mtrs
Ultratrol 2 - 0.4 to 10 mtrs
Ultratrol 3 - 0.5 to 12 mtrs
- Measurement Mode : Level , Distance
- Blanking distance : 400mm - Ultratrol 1 & 2
500mm - Ultratrol 3
- Beam Angle : $\pm 5^\circ$ for Ultratrol 1 & 2
 $\pm 3^\circ$ for Ultratrol 3
- Power Supply : 16 -30 VDC
- Analogue Output : 4- 20 mA
- Max. load : 250 Ohms
- Display : Integral 4 digit LCD
- Accuracy : $\pm 0.5\%$ of FSD
- Resolution : 1mm
- Enclosure : ABS with polycarbonate window x IP-65
- Transducer MOC : 1) PU with ABS shield
2) PTFE with ABS shield
- Cable Gland : M20 x 1.5mm
- Maximum Cable Run : 100mtrs
- Process Connection : 3" NB ANSI x PP - Ultratrol 1 & 2
4" NB ANSI x PP - Ultratrol 3
- Operating Temp. : - 40 to 70 °C
- Process Pressure : < 1 bar
- Mounting Fixtures : SS Bracket or SS Nozzle
- Sunlight Protection : FRP Canopy
- Signal Cable : 2 core x 1mm² x PVC screened pair
- Flotation Cell Assy. : Float x Disc (SS construction)

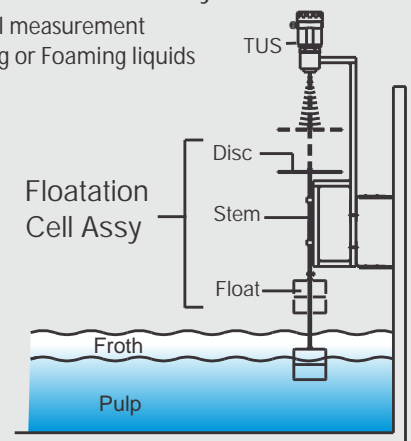
Application Examples :

Level Measurement

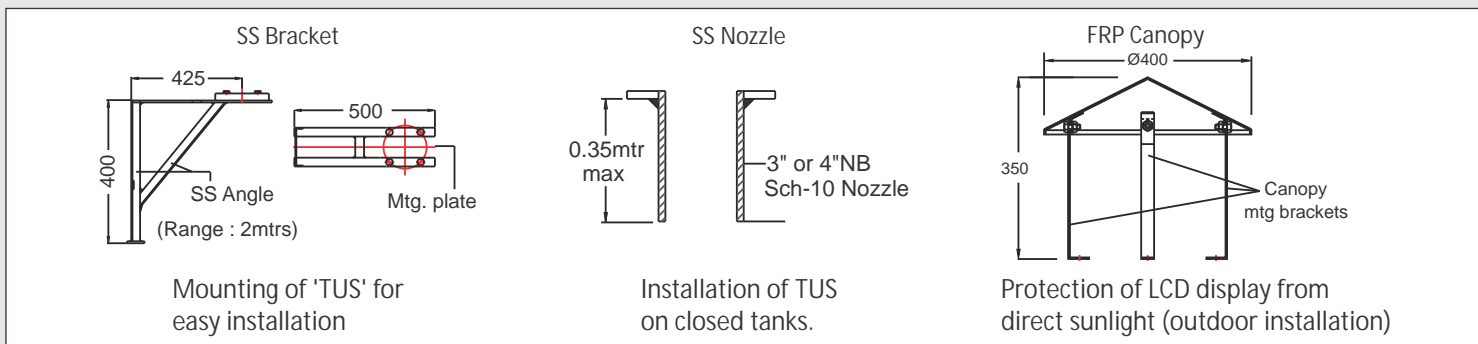


Flotation Cell Control Assembly

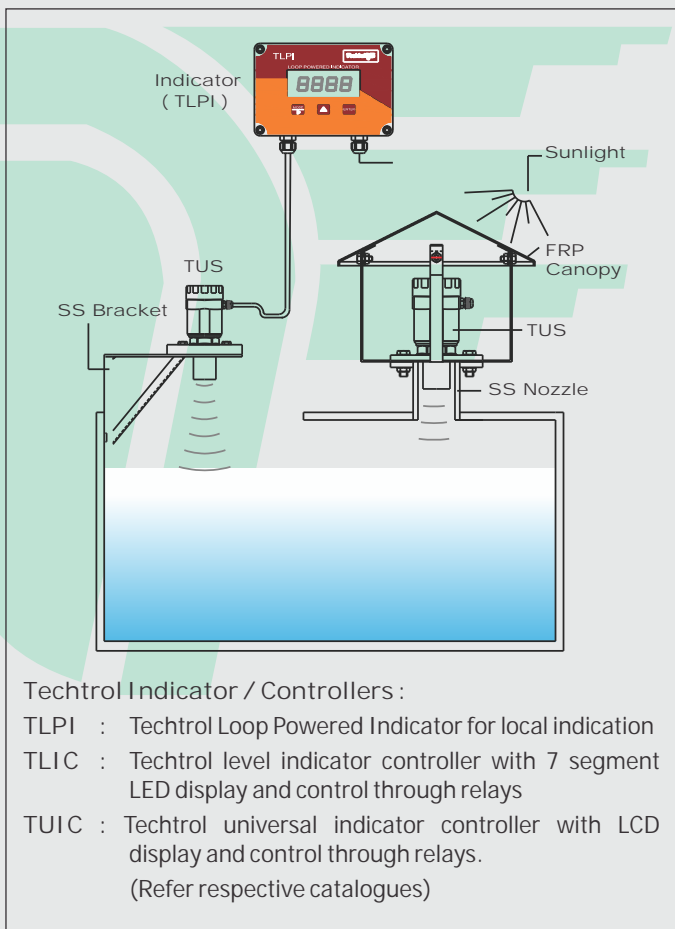
for interface level measurement involving Frothing or Foaming liquids



Accessories :



Installation :



Services :

Raw/Waste Water, Sewage, Effluents, Scrubber, Caustic, H₂SO₄ (98%), Coolant, Milk, Oil, Lime Slurry or Highly Viscous Media.

Applications :

Storage Tanks, Filter Beds, Flotation Cells, Water / Waste Water Treatment, Nuclear/Thermal Power Plants, Effluent Treatment Plants, Canals and Irrigation Systems.

Model Identification :

TUS Ultratrol -							
Range							
5 mtrs	1						
10 mtrs	2						
12 mtrs	3						
X'ducer MOC							
PU with ABS shield		P					
PTFE with ABS shield		T					
Process Connection							
3"NB, ANSI-150# x PP (Ultratrol 1&2)			3				
4"NB, ANSI 150# x PP			4				
Others			O				
Remote Indicator / Controller							
Not Provided					W		
TLPI					L		
TLIC					C		
TUIC					U		
Others					O		
Mounting Fixtures							
Not provided					W		
SS Bracket					B		
SS Flanged Nozzle					N		
Others					O		
Sunlight Protection							
Not provided						W	
FRP Canopy						C	
Others						O	
Signal Cable							
Not provided						W	
2 Core screened cable						C	
Flotation Cell Assy							
Not provided							W
Provided							F

Units in mm

Ordering Information :

Model no. along with Liquid and its Operating Temperature & Pressure.